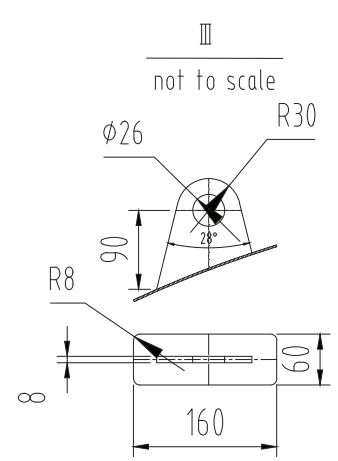
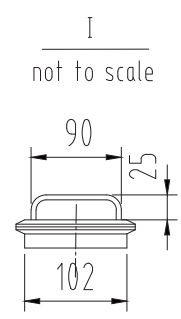


Design parameter				
Parameter Name		Container	Jacket	
Working Pressure	(MPa)	0.2	0.1	
Design/Test Pressure	(MPa)	0.4	0.4	
Working Temperature	(°C)	-7~80°C		
Design Temperature	(°C)	-10~100°C		
Medium		Beer, Air, CO2	Glycol water	
Material		S30408	S30408	
Effective volume	(L)	1000		
Total volume	(L)	1200		
Anticorrosion Coating	The stainless steel inner surface of the equipment is treated with pickling and passivation, and the outer surface is brushed with stainless steel to remove oil stains by tearing off the film, and coated with stainless steel special maintenance oil			
Pipe opening position	According to this diagram			
Technical requirement	1. all pipeline fittings are made of 304 stainless steel. 2. Throw 60mm fine sand strip at the weld seam. 3. The equipment uses TIG welding. Welding wire model: ER308. 4. Pressure test on the jacket, with a test pressure of 0.4 MPa, and hold it for 24 hours without any pressure relief to be considered qualified.			
Notes				
Pipe / Port				
Mark	Size	Face Type	Description	Descr
a	φ38/1.5"	Tri-clover	Drain Outlet	
b	φ38/1.5"	Tri-clover	Thermometer	
c	φ38/1.5"	Tri-clover	Sampling Port	
d	φ38/1.5"	Tri-clover	Reserved port 1	
e	φ51/2"	Tri-clover	Reserved port 2	
f	3/4"	BSP	Glycol Inlet	
g	3/4"	BSP	Glycol Outlet	
h	φ38/1.5"	Tri-clover	Pressure Gauge	
i	φ38/1.5"	Tri-clover	Pressure relief valve	
j	430X330	Weld	Manhole	
k	φ38/1.5"	Weld	CIP	
L	φ102/4"	Tri-clover	Reserved port 3	
m	φ102/4"	Tri-clover	Reserved port 4	



Designer	Kee Doery	Title: TeleTank 1200L Manufacturer: KegLand Distribution PTY LTD	Area	
Revision	2.1		Design Project	
Model	KL50678		Design Stage	P&ID
Scale	1:25	Date	12/01/2026	